

QUICK START REST PEDAL



REST PEDAL COMPATIBILITY

Compatible with Sprint 2-pedal set plus any Sprint Baseplate (1).

Compatible with Ultimate+ 2-pedal set plus any Ultimate Baseplate (2).

Not compatible with 3-pedal sets in combination with a Heusinkveld Baseplate.



(1)



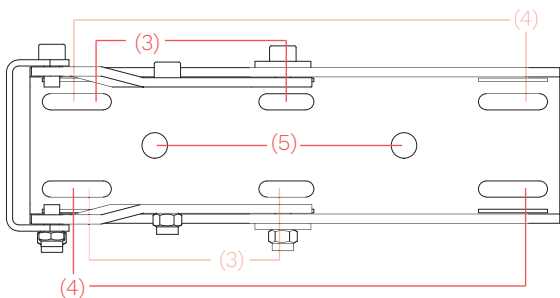
(2)

For compatibility with Heusinkveld Sprint 3-pedal set and Ultimate+ 3-pedal set on a third party rig or third party baseplate: Check schematics of third party supplier.

MOUNT YOUR REST PEDAL

The Rest Pedal offers several mounting options:

- The front outer and middle outer slots match the mounting pattern of Heusinkveld Sprint pedals (3).
- The front outer and rear outer slots match the mounting pattern of Heusinkveld Ultimate+ pedals (4).
- The two holes on the centerline offer an alternative mounting option, for example if you want to mount the Rest Pedal on an aluminium profile (5).

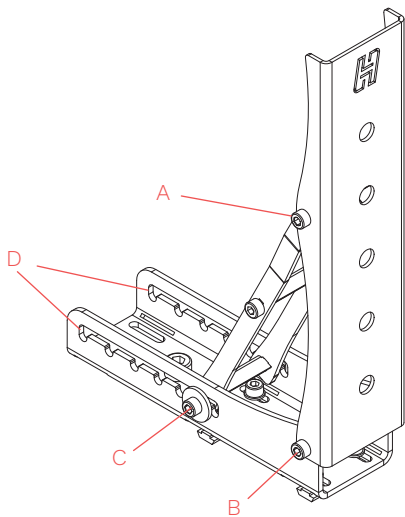


Various bolts, nuts and T-nuts to assist with the installation are included in the box. Note that we include both T-nuts compatible with aluminium profiles as well as T-nuts which fit Heusinkveld Sprint Baseplate (HE-SPSBP20) and Ultimate+ Baseplate (HE-SPUBP20).

ADJUST YOUR REST PEDAL

In the base of the Rest Pedal is a 6-position adjustment slot. Use the supplied allen key and wrench to loosen the bolts in positions **A**, **B** and **C**. **NOTE:** do not remove bolts.

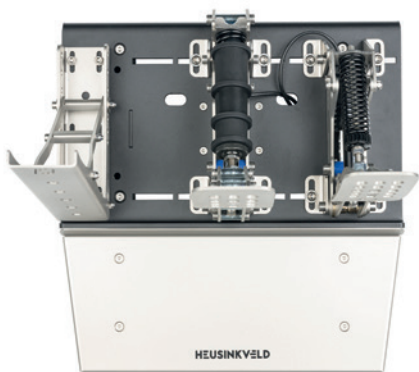
Slide the bolt through the adjustment slot to any of the 6 positions **D** and re-tighten all 3 bolts.



INSTALLATION EXAMPLES



Rest Pedal, Sprint 2-pedal set plus
Sprint Baseplate (HE-SPSBP20)



Rest Pedal, Ultimate+ 2-pedal set plus
Ultimate+ Baseplate (HE-SPUBP20)

HEUSINKVELD®

EXTRA INFORMATION & TUTORIALS

This is the Quick Start manual for your Heusinkveld Rest Pedal. It contains all essential information to start using your Rest Pedal. The digital version can be found on our website:

heusinkveld.com/support/product-manuals



PIT STOP FOR YOUR QUESTIONS

If you have any questions about our products or need help with the installation, our Support Team is happy to help you at support@heusinkveld.com

JOIN OUR COMMUNITY



PLEASE RECYCLE RESPONSIBLY

The packaging of this product is made out of paper and cardboard where possible. Please make sure to follow local guidelines for responsible recycling.

