

HEUSINKVELD® Angled Mount

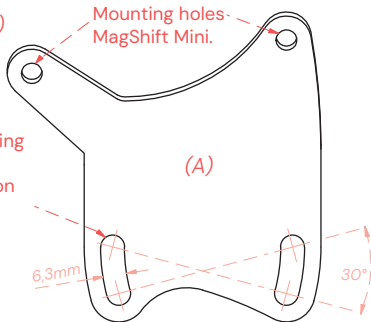
for MagShift Mini

Contents:

2x Angled Mount plate (A)

2x M6x16 bolts (B)

Mounting slots for your simracing rig. Stepless angle adjustment possible. Meant for mounting on an aluminium extrusion profile.

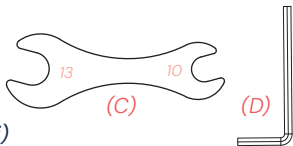


Tools needed:

1x 4mm Allen key (D)

1x Wrench (C)

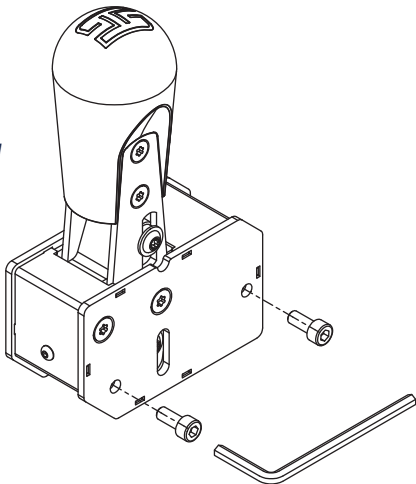
(supplied with your MagShift Mini)



1.

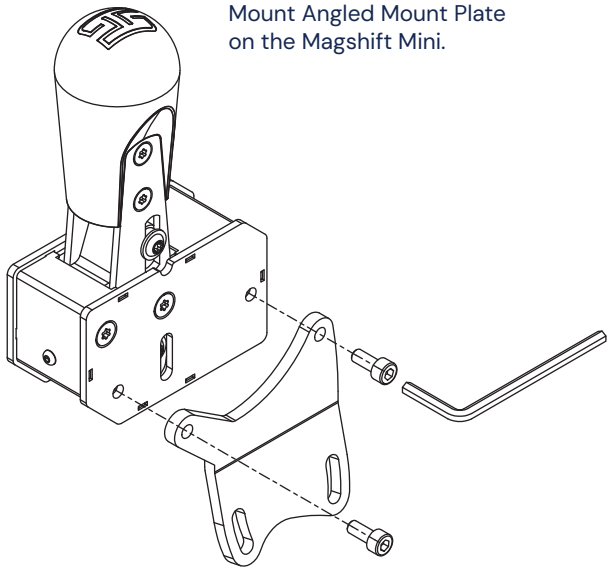
Remove M5 screws on desired* side of the MagShift Mini with 4mm Allen key supplied with the MagShift Mini.

** Desired side is depending on your simracing rig setup and difference between Right Hand Drive and Left Hand Drive Angle Mount.*



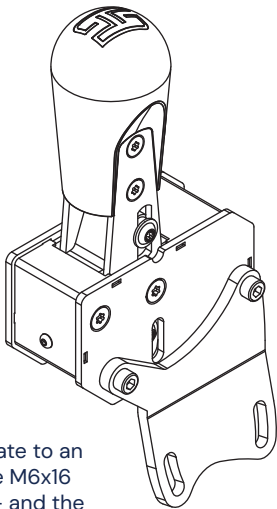
2.

Mount Angled Mount Plate
on the Magshift Mini.



3.

Mount MagShift Mini with Angled Mount Plate to your simracing rig.



In order to install the mounting plate to an aluminium profile, you can use the M6x16 bolts – supplied with this mount – and the 2x t-nuts*. Tighten with the wrench.

**Supplied with your MagShift Mini.*