

HEUSINKVELD® Vertical Mount

for MagShift Mini

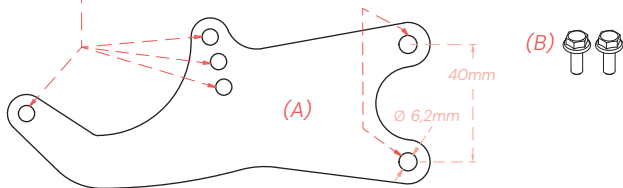
Contents:

1x Vertical Mount plate (A)

2x M6x16 bolts (B), 1x USB-B cable

Mounting holes MagShift Mini
3 different angles possible.

Mounting holes for
your simracing rig.

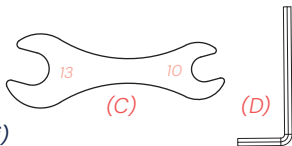


Tools needed:

1x 4mm Allen key (D)

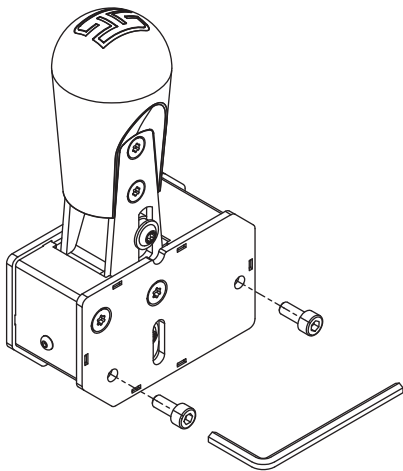
1x Wrench (C)

(supplied with your MagShift Mini)



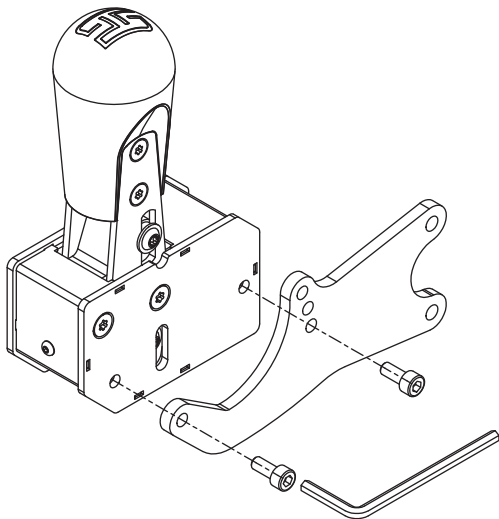
1.

Remove M5 screws on desired side of the MagShift Mini with 4mm Allen key supplied with the MagShift Mini.



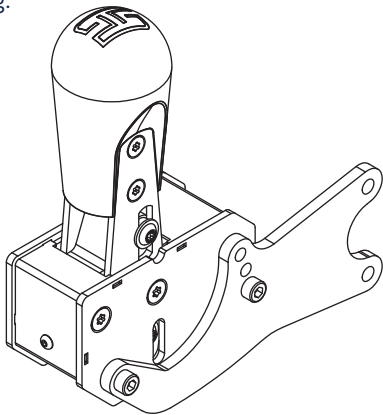
2.

Mount Vertical Mount Plate on the Magshift Mini.



3.

Mount MagShift Mini with Vertical Mount Plate to your simracing rig.



In order to install the mounting plate to an aluminum profile, you can use the M6x16 bolts – supplied with this mount – and the 2x t-nuts*. Tighten with the wrench.

**Supplied with your MagShift Mini.*