

QUICK START SPRINT BASEPLATE

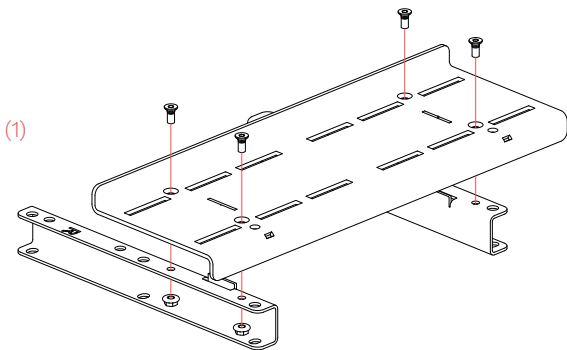


ASSEMBLE AND MOUNT YOUR BASEPLATE

Start with the assembly of the brackets on the black pedal mounting plate with M5x12 countersunk bolts and flanged nuts*.

NOTE: These nuts can be tightened without the use of a wrench, by holding them in place with a finger.

Countersunk holes on the pedal plate should face upwards. The open side of the C-shaped brackets should face outwards (1).

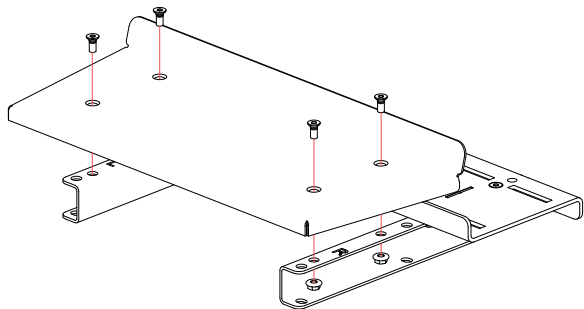


* All mentioned bolts and nuts are included.

ADJUST YOUR HEEL PLATE

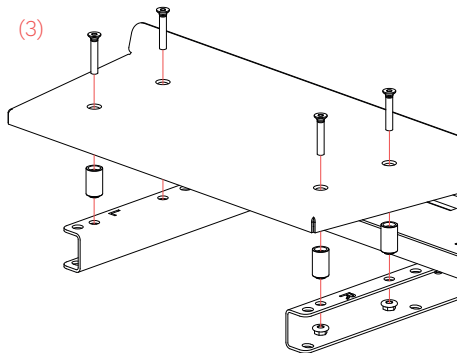
Adjust the height of the heel plate to your own preference. To mount the heel plate in the lowest position use the M5x12 countersunk bolts and flanged nuts (2).

(2)

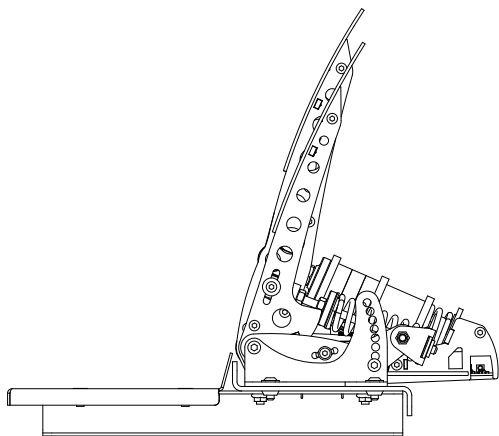


Metal spacers are included with your Baseplate, which you can use to increase the height of the heel plate. For this, use the M5x30 countersunk bolts instead. **NOTE:** Do not use the spacers to raise the pedal plate (3).

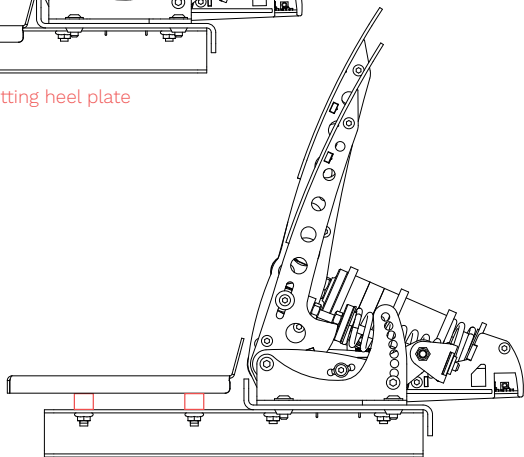
(3)



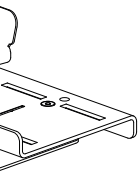
HEEL PLATE SETTINGS



Default setting heel plate

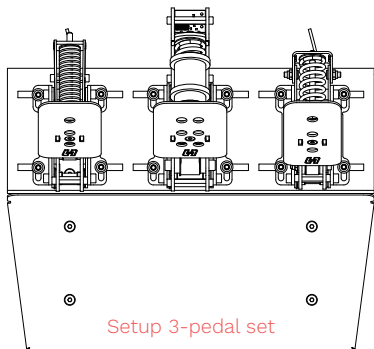
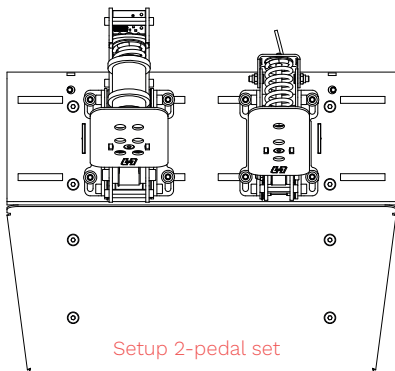


Higher setting heel plate



MOUNT YOUR SPRINT PEDALS

This Baseplate is compatible with the Heusinkveld Sprint pedals. If you slightly loosen the 4 mounting bolts, you can easily fine-tune the pedal position in all directions.



To mount the assembly to your aluminium rig, use the hexagonal bolts M6x12 and M6 t-nuts.

For installation on other types of pedal plates use the M6x25 bolts and M6 flanged nuts.

HEUSINKVELD®

FULL MANUAL & TUTORIALS

The full manual for this product can be found on our website. Do you prefer watching a video? Check out our tutorials too:

heusinkveld.com/support/product-manuals



PIT STOP FOR YOUR QUESTIONS

If you have any questions about our products or need help with the installation, our Support Team is happy to help you at support@heusinkveld.com

JOIN OUR COMMUNITY



PLEASE RECYCLE RESPONSIBLY

The packaging of this product is made out of paper and cardboard where possible. Please make sure to follow local guidelines for responsible recycling.

