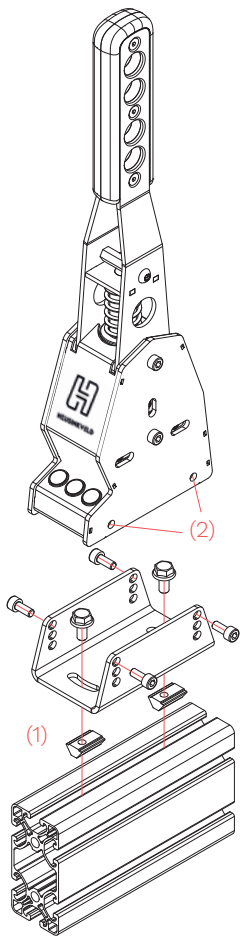


# QUICK START MAGSHIFT



# MOUNTING YOUR MAGSHIFT

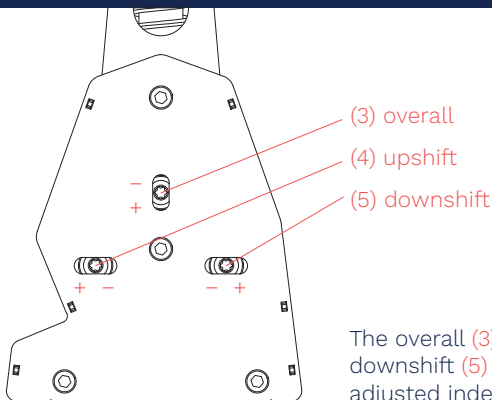


Attach the U-bracket to your simulator (1). The bracket allows for adjustment of the yaw angle.

Remove the bottom 2 bolts from each side of the MagShift (2).

Position your MagShift in the bracket, choose preferred height and tilt angle. Re-insert and tighten the bolts.

# ADJUST THE FORCE

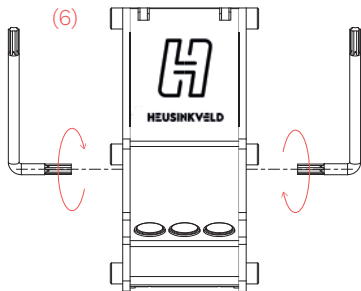


The overall (3), upshift (4) and downshift (5) force can be adjusted independently.

Insert 2 torx keys (6) simultaneously into adjustment bolts (one on each side).

Turn counterclockwise to loosen the screws. Leave both hex keys inserted, move adjustment slider to new position. Make sure slider sits straight.

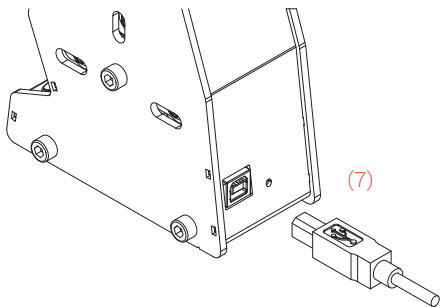
Re-tighten the screws. Do not overtighten.



# CONNECT YOUR MAGSHIFT

Connect supplied USB cable between the MagShift and your PC (7).

**You are ready to race!**



---

## Maintenance

The MagShift does not require any maintenance.

## General product description and intended use

The MagShift is a sensor-based sequential shifter which can be connected to a computer for use in a driving simulator.

The product is suitable for use in a simulator only. The product is not suitable for use on (public) roads, on a test track, or as part of an electric vehicle.

## Safety precautions

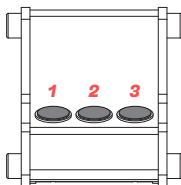
No specific personal safety equipment is required to use this product. The product must be mounted rigidly to the simulator.

# SMARTCONTROL & SMARTCONTROL LIVE

Heusinkveld® simracing products come with powerful software tools. Download SmartControl and SmartControl Live from our website [heusinkveld.com/overview-smartcontrol-live](https://www.heusinkveld.com/overview-smartcontrol-live)

## Expand MagShift output with SmartControl

With SmartControl, you can set up to 10 fully customizable outputs using the lever and the 3 buttons (8). You can trigger multiple outputs simultaneously, delayed or independently from a single input.



(8)

3 buttons + lever =  
up to 10 fully customizable  
outputs in SmartControl.

With **SmartControl LIVE** you can activate your settings on the go. Change settings and apply your profiles while driving.



Read more about it

# HEUSINKVELD®

## **EXTRA INFORMATION & TUTORIALS**

This is the Quick Start manual for your Heusinkveld MagShift. It contains all essential information to start using your MagShift. Extra information, tutorials and the SmartControl software can be found on our website:

[heusinkveld.com/support/product-manuals](https://heusinkveld.com/support/product-manuals)



## **PIT STOP FOR YOUR QUESTIONS**

If you have any questions about our products or need help with the installation, our Support Team is happy to help you at [support@heusinkveld.com](mailto:support@heusinkveld.com)

## **JOIN OUR COMMUNITY**



## **PLEASE RECYCLE RESPONSIBLY**

The packaging of this product is made out of paper and cardboard where possible. Please make sure to follow local guidelines for responsible recycling.

