

# HEUSINKVELD®

# RACE

# CENTER

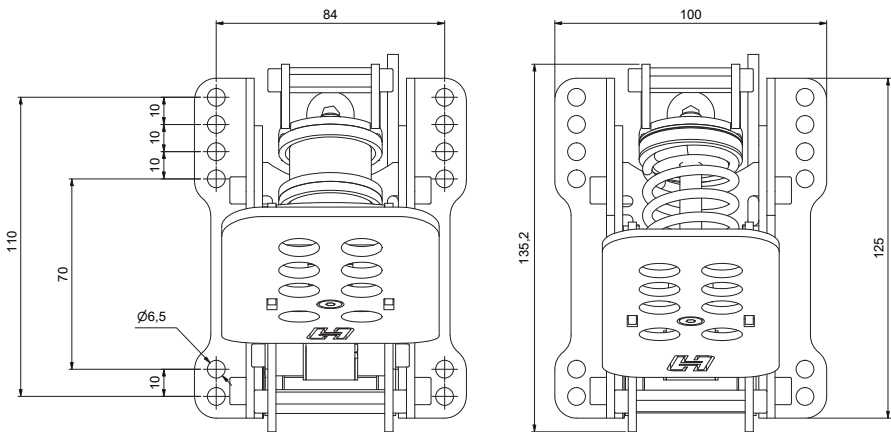
PEDAL SET

## INSTRUCTION MANUAL

---

### MOUNT THE PEDALS

Mount the pedals with the flanged M6 bolts (Torx 25) onto our Heusinkveld Ultimate+ Baseplate or a very rigid base. Longer bolts are included for different thickness pedal plates (1).



(1) Brake pedal

Clutch / Throttle pedal

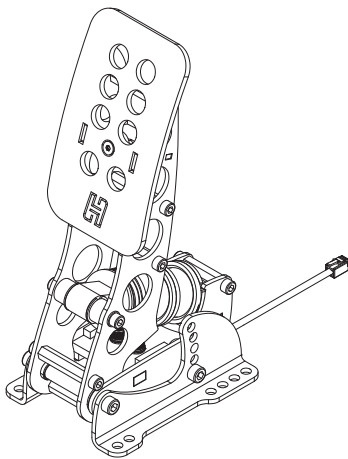
## CONNECT THE PEDALS

Plug each pedal into the corresponding port of the controller box (the small box with the metal enclosure).

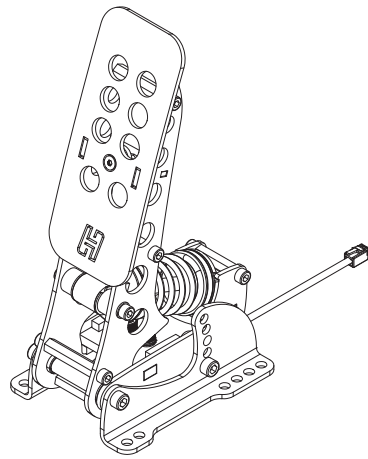
If you have a 2-pedal set, you can leave the clutch port empty (2).

Connect the provided USB-cable between the controller box and the PC (3).

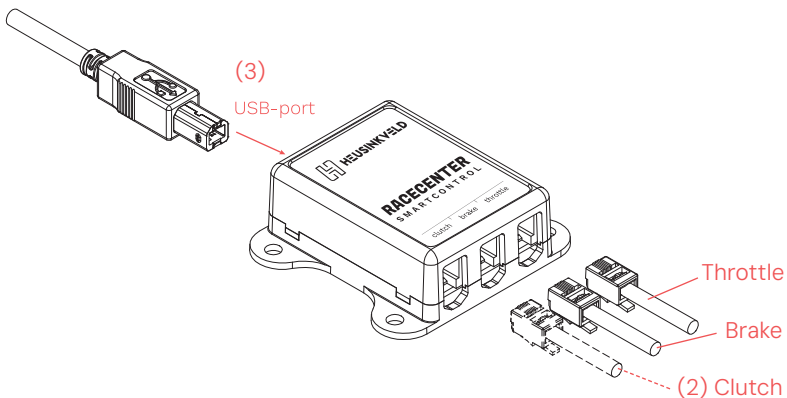
The pedals are pre-calibrated and will work after assigning them in your favourite simulator software.



Brake pedal



Clutch / Throttle pedal



## ADJUSTMENTS

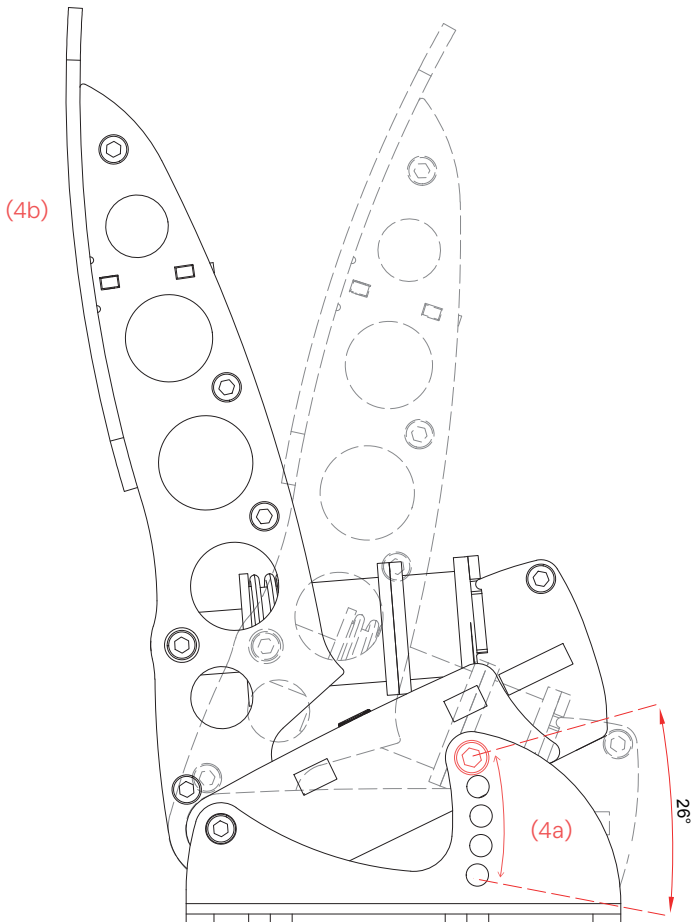
The RaceCenter pedals have several adjustments which allow you to set up the pedals to your preference.

### All pedals:

- Pedal angle (4a)
- Pedal plate height (4b).

### Brake pedal:

- Hard (default) or soft resistance (2 settings in total).





In order to change the brake resistance:

1. Insert provided tool (5) against elastomer stack backplate (6). Then pop out backplate (7).

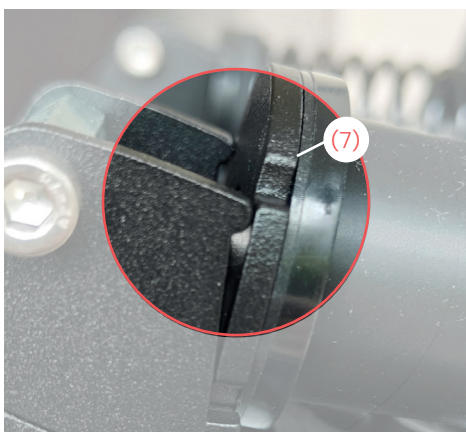
2. Remove the 2 elastomers and replace by 2 elastomers with identical length but different resistance (8).

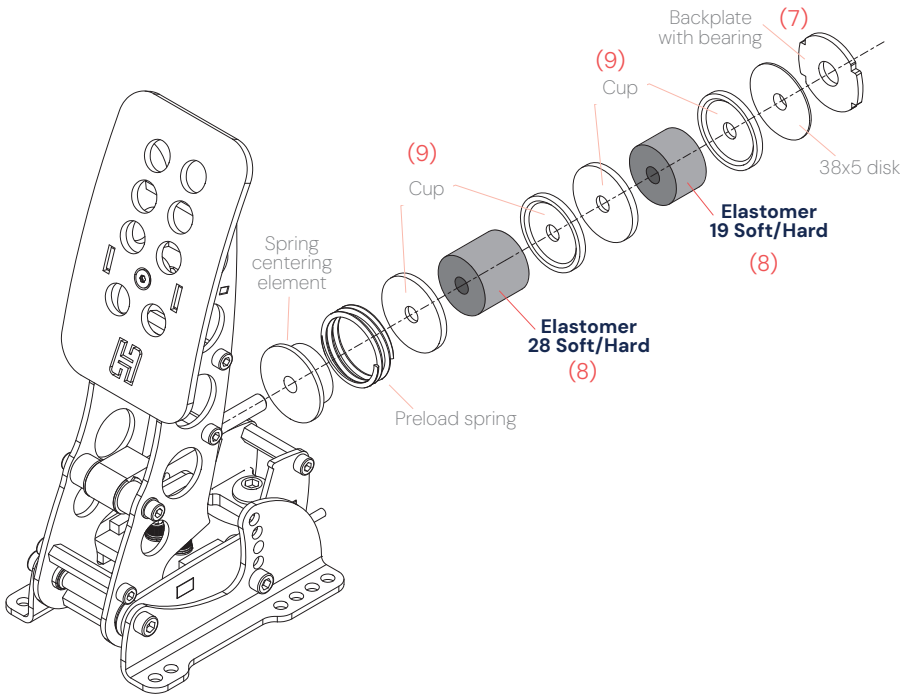
- Always use one short and one long elastomer.

3. Rebuild elastomer stack and pop backplate back in position.

**NOTE: Always use cups and elastomer together.**

Build the stack accordingly to the image on the next page (9).



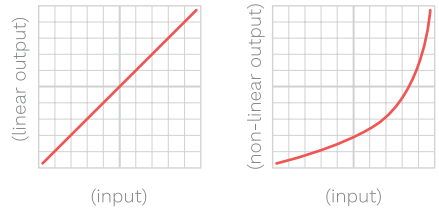


## PEDAL DEADZONES

In order to maximize the service-life of these pedals they are equipped with damped end-stops. The top pedal deadzone must be kept at 10% in order for the driver to achieve maximum pedal output before reaching this end-stop.

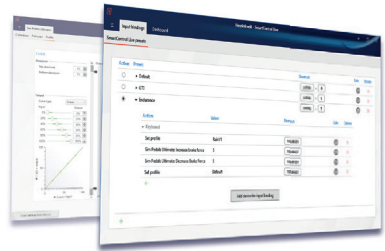
## SMARTCONTROL & SMARTCONTROL LIVE

Heusinkveld® simracing products come with powerful software tools. Download SmartControl and SmartControl Live from our website [heusinkveld.com/overview-smartcontrol-live](https://heusinkveld.com/overview-smartcontrol-live).



With SmartControl you can configure (non-linear) pedal output curves, set pedal deadzones and brake pedal force and save your settings to an unlimited number of profiles.

With **SmartControl LIVE** you can activate your settings on the go. Change settings and apply your profiles while driving.



## HEUSINKVELD®

### FULL MANUAL & TUTORIALS

The full manual for this product and its software can be found on our website: [heusinkveld.com](https://heusinkveld.com)

### PIT STOP FOR YOUR QUESTIONS

If you have any questions about our products or need help with the installation, contact our Support Team at [support@heusinkveld.com](mailto:support@heusinkveld.com)

### PLEASE RECYCLE RESPONSIBLY

The packaging of this product is made out of paper and cardboard where possible. Please make sure to follow local guidelines for responsible recycling.

